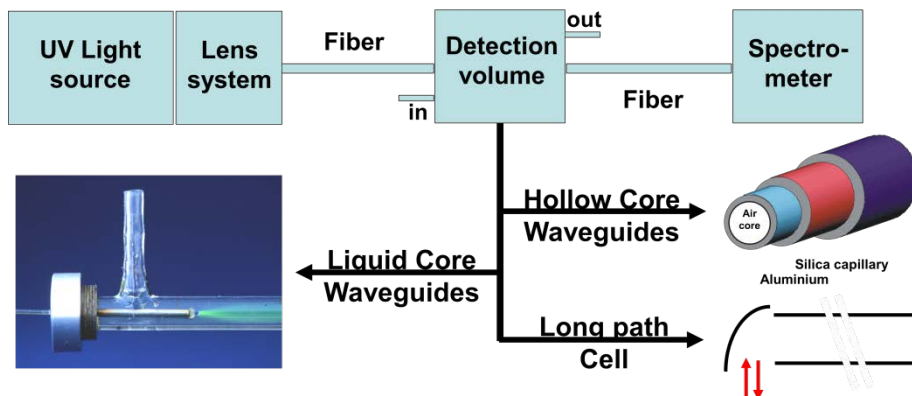


## Real-time Spectroscopy in UV-Region

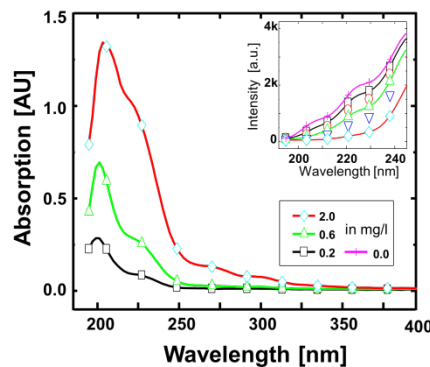
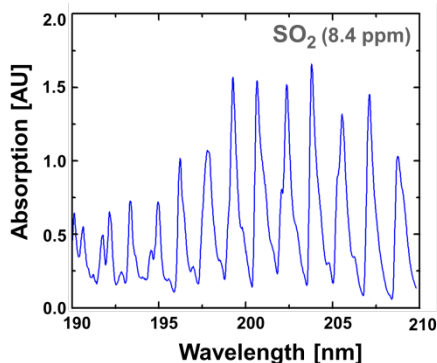
### Properties

- Long absorption length
- Low detection limit
- Mobile system, easy handling



### Applications

- Water Impurities  
Organic substances in water



- Gas analyses in scientific, industrial, medical and forensic applications

### Laboratory for *Optical Communications and Waveguides*

Prof. Dr.-Ing.  
Karl-Friedrich Klein

Dipl.-Ing. (FH)  
Cornell P. Gonschior

Dipl.-Ing. (FH)  
Christiane Jakob

### Partners of cooperation



TOHOKU UNIVERSITY



### Contact

Technische Hochschule Mittelhessen - Competence Center „Optical Technologies and Systems“  
Wilhelm-Leuschner-Straße 13 | 61169 Friedberg

Prof. Dr.-Ing. Karl-Friedrich Klein

Karl-Friedrich.Klein@ots.thm.de

Phone: +49 (0)6031 604-214/216

Dipl.-Ing. (FH) Daniel Thölken

info@ots.thm.de

Phone: +49 (0)6031 604-4717