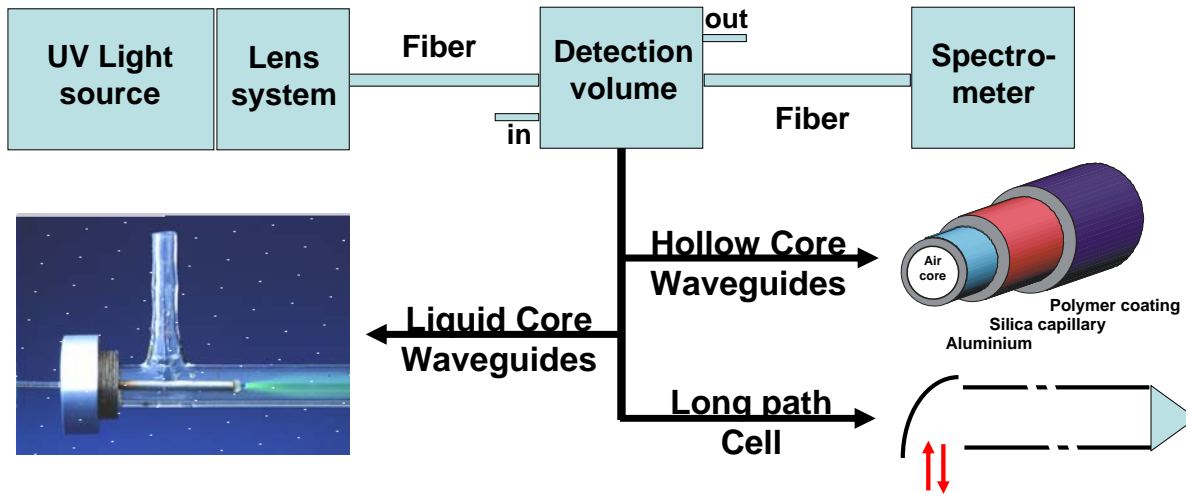


Real-time Spectroscopy in UV-Region



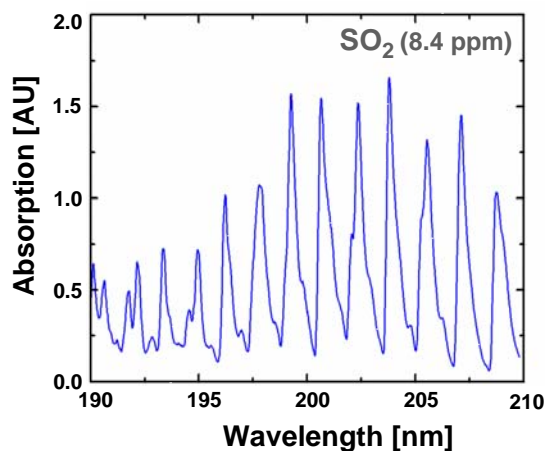
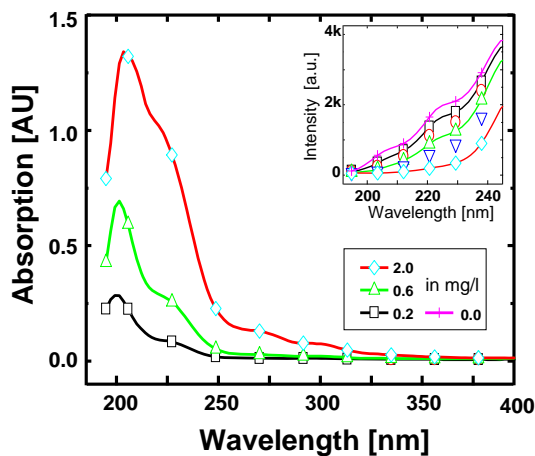
Properties

- Long absorption length
- Low detection limit
- Mobile system, easy handling

Applications

Water Impurities
Organic substances in
water

Gas analyses in scientific,
industrial, medical and
forensic applications



Competence Center
„Optical
Technologies
and Systems“

Laboratory for
Optical
Communications
and Waveguides

Prof. Dr.-Ing.
Karl-Friedrich Klein

Dipl.-Ing. (FH)
Cornell P. Gonschior

Dipl.-Ing. (FH)
Christiane Jakob

Partners of
cooperation



TOHOKU UNIVERSITY



Contact

Karl-Friedrich Klein, Prof. Dr.-Ing., Phone: +49 (0)6031 604 214/216
Karl-Friedrich.Klein@iem.th-mittelhessen.de; www.on-labor-friedberg.de